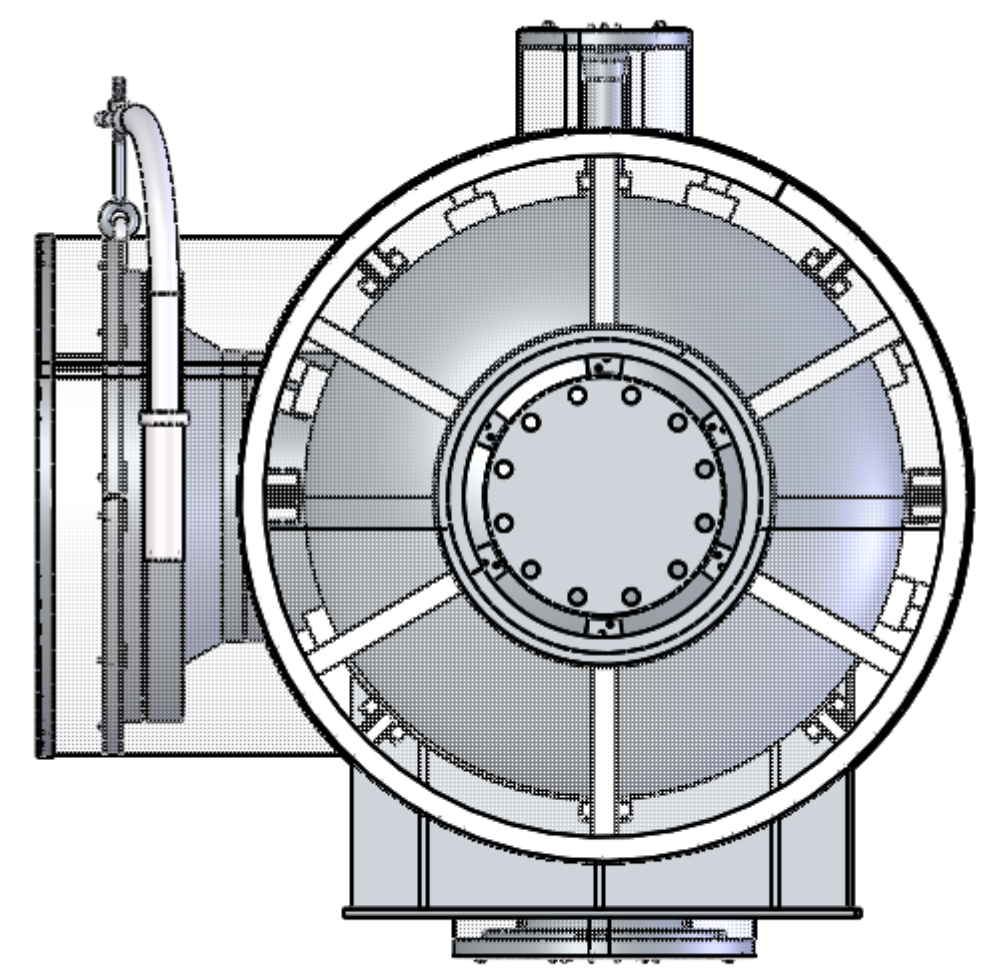
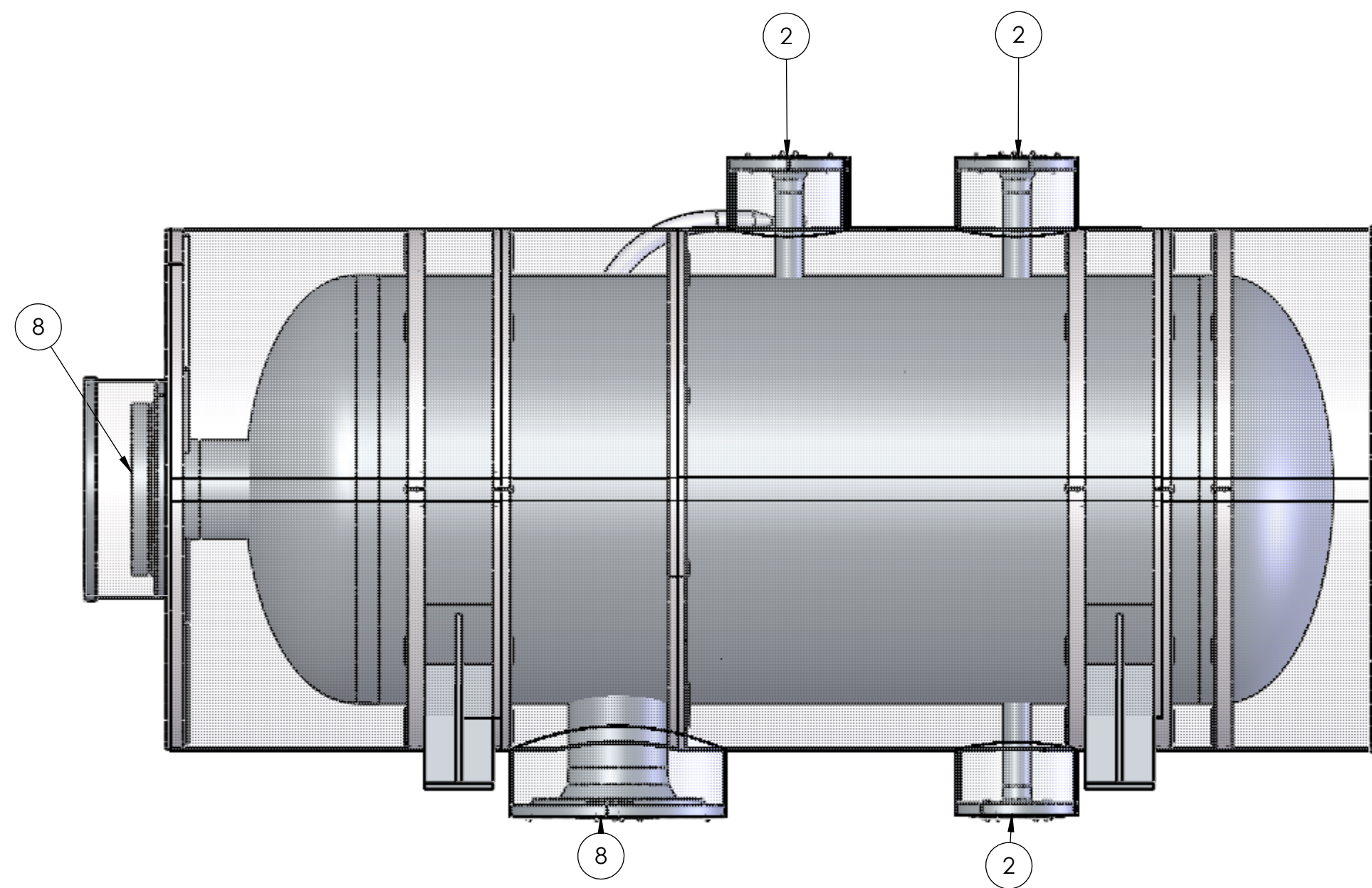


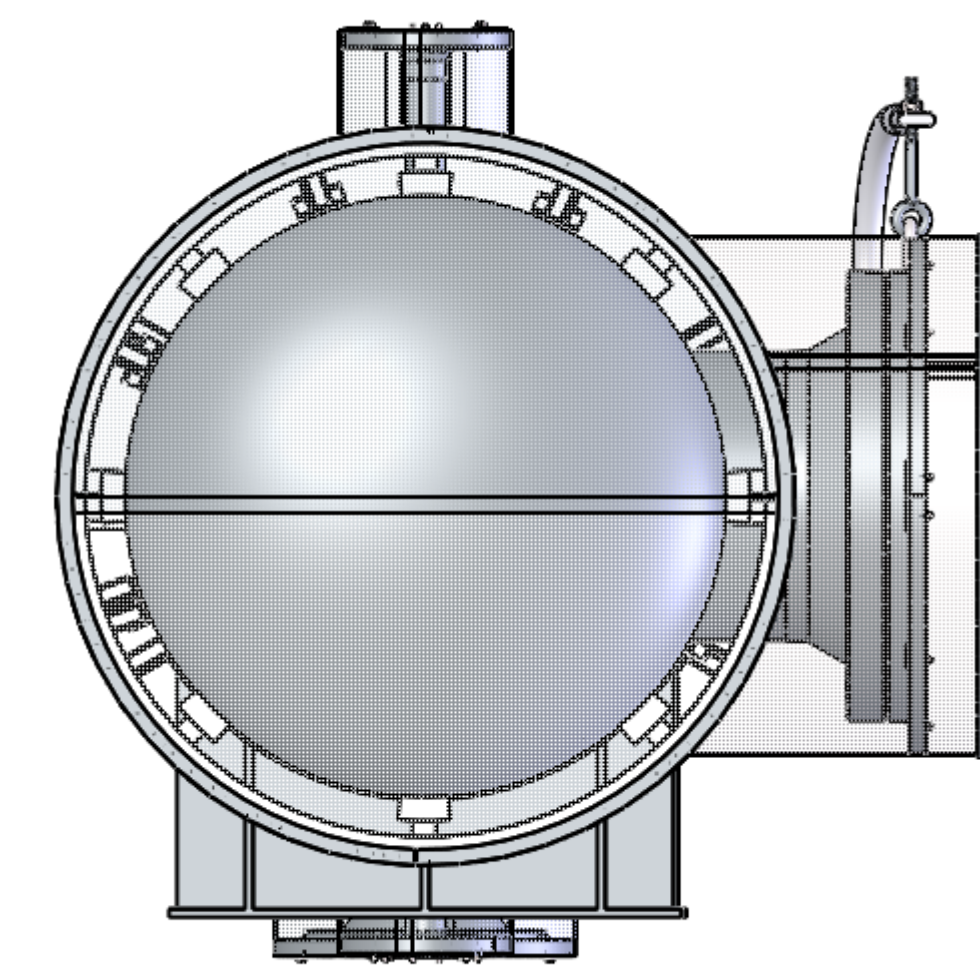
TOP VIEW



LEFT END VIEW



FRONT VIEW



RIGHT END VIEW

- NOTES
- DESIGNED FOR 350°F OPERATION
 - MATERIALS ALUMINUM, STAINLESS STEEL
 - NO SHARP EDGES
 - ALL ROUND COVER EDGES COVERED WITH ANGLE
 - MESH 1" SQUARE, .08" DIAMETER WELDED WIRE

3	CORRECT CLIP REQ'MTS, CHG COMPANY NAME	8/10/14
1	ADD SHEET 2, FINALIZE FOR FAB	7/15/14
0	ORIGINAL ISSUE	1/25/14
No.	Revisions	Date

V-29
 QTY: 2
 DRAWN BY: ARM DATE: 7/15/14
 CHK'D BY: DATE:
 PROPRIETARY AND CONFIDENTIAL
 THE INFORMATION CONTAINED IN
 THIS DRAWING IS THE SOLE PROPERTY
 OF ENVIROTECH ANY REPRODUCTION
 IN PART OR AS A WHOLE WITHOUT
 THE WRITTEN PERMISSION OF
 ENVIROTECH IS PROHIBITED.

OBETEGO
PERSONNEL PROTECTION

CUSTOMER:

TITLE: **V-29**

SIZE	DWG. NO.	REV
D	V-29	3

SCALE: AS NOTED DIMENSIONS IN INCHES SHEET 1 OF 2